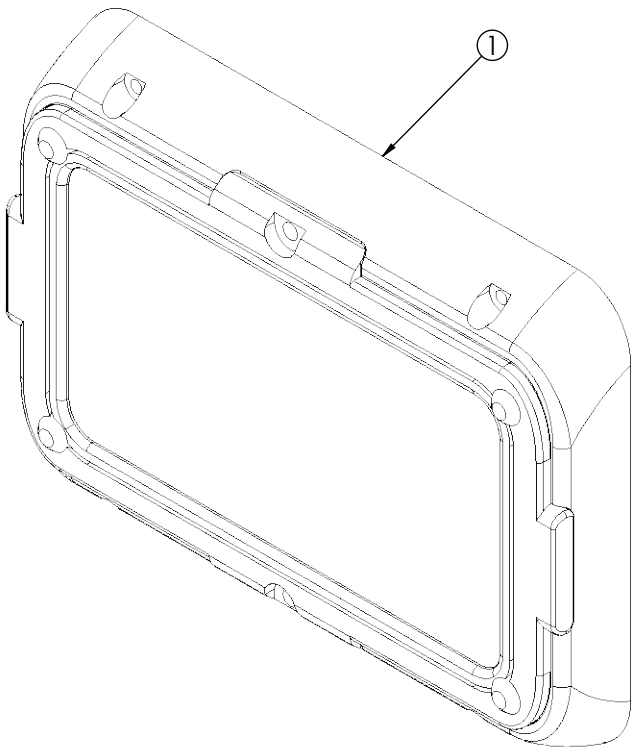


REVISION HISTORY		
REV.	DESCRIPTION	DATE
01	PRELIMINARY RELEASE PER EL0057	2017-06-14
A	INITIAL RELEASE PER EL0057	2017-08-24
B	REVISED PER	2019-03-19



ITEM NO.	QTY.	DESCRIPTION	COMMENTS
1	1	ASSY,SUB,FILTER LENS, EW301X, CLEAR	
2	1	LABEL,BOX, EZ3010F, 0.75"X2.25	NOT SHOWN
3	1	BOX, ACCESSORY, WHITE, EZ3010X	NOT SHOWN

SCALE 1:1.5		APPROVALS	DATE
CAD GENERATED DRAWING DO NOT MANUALLY UPDATE. MODEL REFERENCED: A		DRAWN BY ABD	2019-03-15
		CHECKED MDH	2019-03-18
TOLERANCES ARE IN INCHES, AND MILLIMETERS TOLERANCES UNLESS OTHERWISE STATED ARE:		MECH. ENG.	
MILLIMETERS DECIMALS XX. ± 1.0mm XX.X ± 0.5mm	INCHES DECIMALS X.X ± 0.1 X.XX ± 0.04 X.XXX ± 0.02	ANGLES ± 0.5°	ELEC. ENG.
		FRACTIONS ± 1/64	TEST ENG.
			SALES. DMV
			2019-03-15


ECCO® www.eccolink.com
Americas (800) 635-5900 | Europe +44 (0)113 237 5340 | Asia Pacific +61 (0)3 63322444

ACCESSORY, FLOOD DIFFUSER FOR EW301X

CUSTOMER PART NO. N/A | PRODUCT SERIES: EZ

SIZE: A | DWG. NO. EZ3010F | REV. B

Electronically Controlled Use Latest Copy | SHEET 1 OF 1 | Project: EL0057 | Date Created: 2017-06-14

NON DISCLOSURE AGREEMENT

THIS DRAWING AND THE DESIGN IT DISCLOSES ARE THE PRIVATE PROPERTY OF ELECTRONIC CONTROLS CO. AND IS ISSUED IN CONFIDENCE FOR ENGINEERING INFORMATION ONLY. THE DRAWING AND / OR DESIGN MAY NOT BE USED, COPIED, REPRODUCED, OR OTHERWISE DISCLOSED IN PART OR AS A WHOLE TO OUTSIDERS OR USED FOR ANY OTHER PURPOSE WITHOUT THE PRIOR WRITTEN CONSENT OF ELECTRONIC CONTROLS CO. THE DRAWING IS SUBJECT TO RECALL AT ANY TIME. YOUR POSSESSION OF THIS DOCUMENT CONSTITUTES ACCEPTANCE OF THESE TERMS. © 2017 ELECTRONIC CONTROLS CO.

